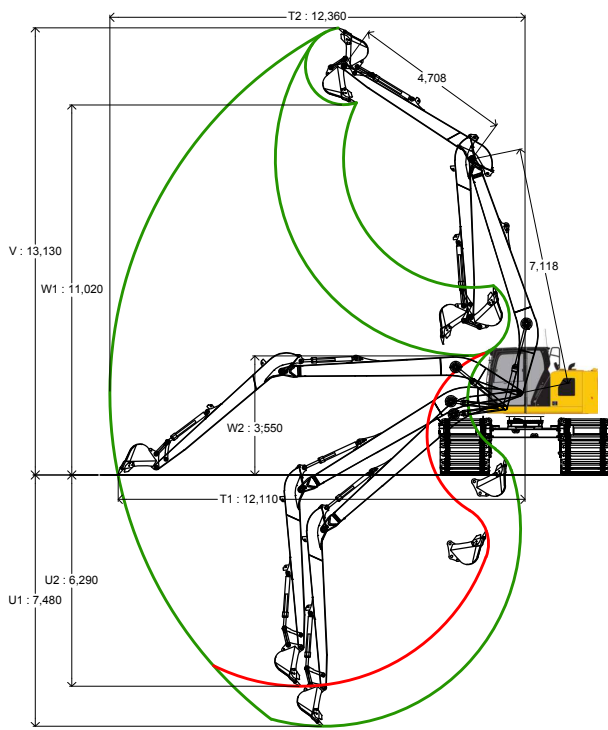


PLAN VIEW

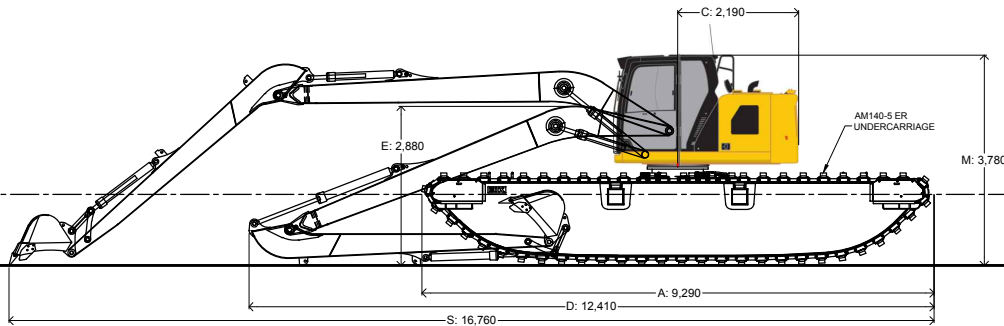


SPECIFICATION	
Upperstructure	CAT 313
Undercarriage	AM140-5 ER
Front Attachment	EIK 12m LR
Bucket Capacity	0.35m <sup>3</sup>
Total Weight	*21,500kg
Ground Pressure	*0.102kg/cm <sup>2</sup>
Speed, Low / High	*1.7km/h / *3.0 km/h
Gradient	*77% / *37%

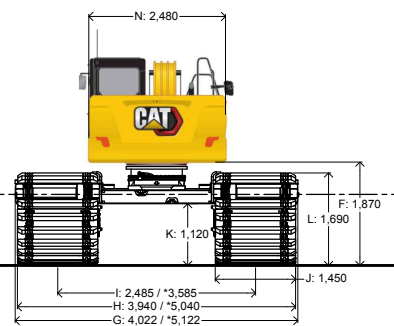
GENERAL DIMENSIONS		
	Description	m
A	Maximum Track Length	9.29
B	Track Length On Ground	4.50
C	Rear Upperstructure Length	2.19
D	Overall Length	12.41
E	Height of the Boom	2.88
F	Upperstructure Clearance	1.87
G	Overall Width (min / max)	4.02 / 5.12
H	Track Width (min / max)	3.94 / 5.04
I	Track Gauge (min / max)	2.49 / 3.59
J	Pontoon Width	1.45
K	Minimum Ground Clearance	1.12
L	Track Height	1.69
M	Overall Cab Height	3.85
N	Upperstructure Overall Width	2.48
Q	Estimated Water Level	*1.29
S	Total Length	16.76

WORKING RANGE		
	Description	m
T1	Maximum Reach On Ground	12.11
T2	Maximum Reach	12.36
U1	Digging Depth from Front	7.48
U2	Digging Depth From Side	6.29
V	Maximum Cutting Height	13.13
W1	Maximum Dumping Clearance	11.02
W2	Minimum Dumping Clearance	3.55

\*NOTE:  
All information on table above with (\*) symbols was estimated.



SIDE VIEW



FRONT VIEW

REV	ECN	DATE	BY	DESCRIPTION	APP
0	N/A	07-07-22	FRD	ISSUE FOR CONSTRUCTION	IR

DIMENSIONS WITHOUT TOLERANCES		
NOM DIM	MACHINED	OTHER
≤10	±0.1	±0.2
>10 - 30	±0.1	±0.5
>30 - 150	±0.2	±0.5
>150 - 300	±0.3	±0.8
>300 - 1000	±0.5	±1.0
>1000 - 2000	±1.0	±2.0
>2000 - 5000	±1.5	±2.0
≥5000	±2.0	±3.0

**CONFIDENTIAL**  
This drawing embodies confidential information, the property of EIK ENGINEERING SDN BHD, to whom the copy right belongs. This drawing may not be copied or used for any purpose other than that for which it was made available except with the prior written consent of EIK ENGINEERING SDN BHD and provision of this drawing does not grant any rights under any industrial property rights of EIK ENGINEERING SDN BHD, nor of any third party.  
(F-RD-03-2)

ALL DIMENSIONS IN MM UNLESS STATED OTHERWISE  
IF IN DOUBT ASK  
THIRD ANGLE

TITLE	AM140-5ER + 12m EIK LR WITH CAT 313		
	EIK ENGINEERING SDN BHD	DRAWN	FARID
	NO. 10, JALAN SILC ¼, KAWASIAN PERINDUSTRIAN SILC, 79200 ISKANDAR PUTERI, JOHOR, MALAYSIA.	CHECKED	HESHAM
	TEL : +607-5319922 FAX : +607-5319919 <a href="http://www.eikengineering.com">http://www.eikengineering.com</a>	DATE	07-07-22
		APPROVED	IRSHARRIN
PROJECT	EIK AMPHIBIOUS UNDERCARRIAGE	SCALE	N.T.S
CLIENT	N/A	DWG.	ED00024562