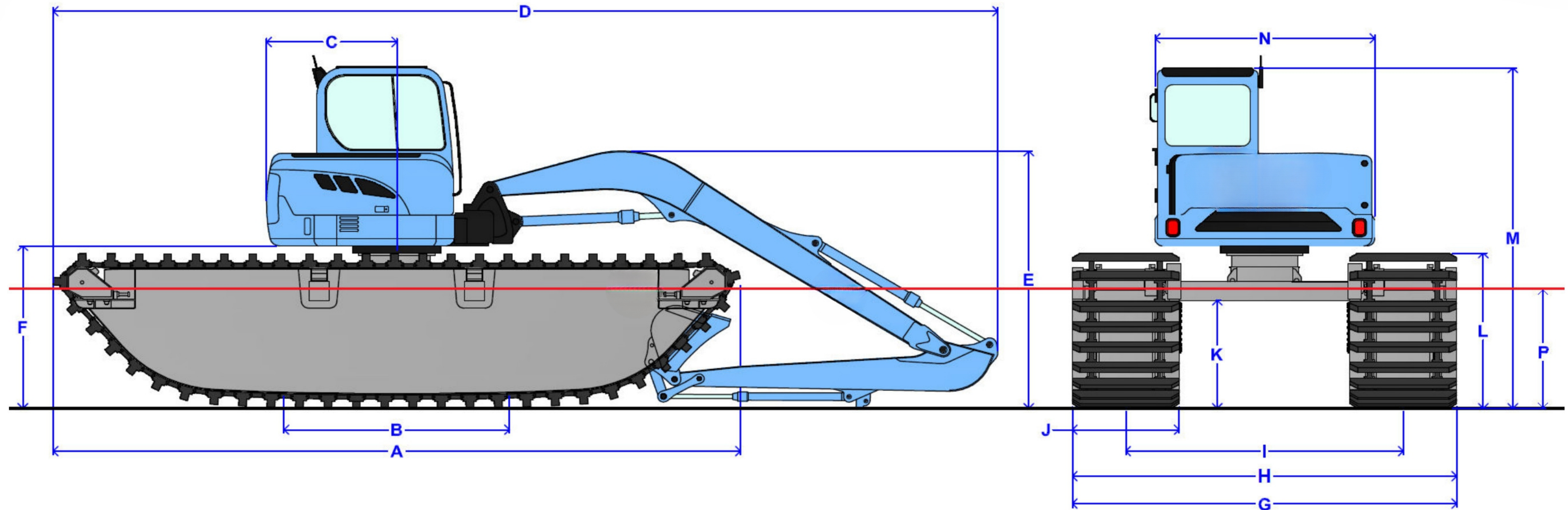


CAT 309 Amphibious Excavator Dimensions



		8 ton (17,600 lb) class excavator	
		m	ft
A	Maximum Track Length	6.95	22' 10"
B	Track Length On Ground	3.20	10' 6"
C	Rear Upperstructure Length	1.75	5' 9"
D	Overall Length	9.25	30' 4"
E	Height Of The Boom	2.90	9' 6"
F	Upperstructure Clearance	1.73	5' 8"
G	Overall Width (min/max)	3.39 / 4.19	11' 1" / 13' 9"
H	Track Width (min/max)	3.36 / 4.16	11' / 13' 8"
I	Track Gauge (min/max)	2.06 / 2.86	6' 9" / 9' 5"
J	Pontoon Width	1.30	4' 3"
K	Minimum Ground Clearance	1.15	3' 9"
L	Track Height	1.65	5' 5"
M	Overall Cab Height	3.65	12'
N	Upperstructure Overall Width	2.26	7' 5"
P	Estimated Water Level	1.28	4' 2"